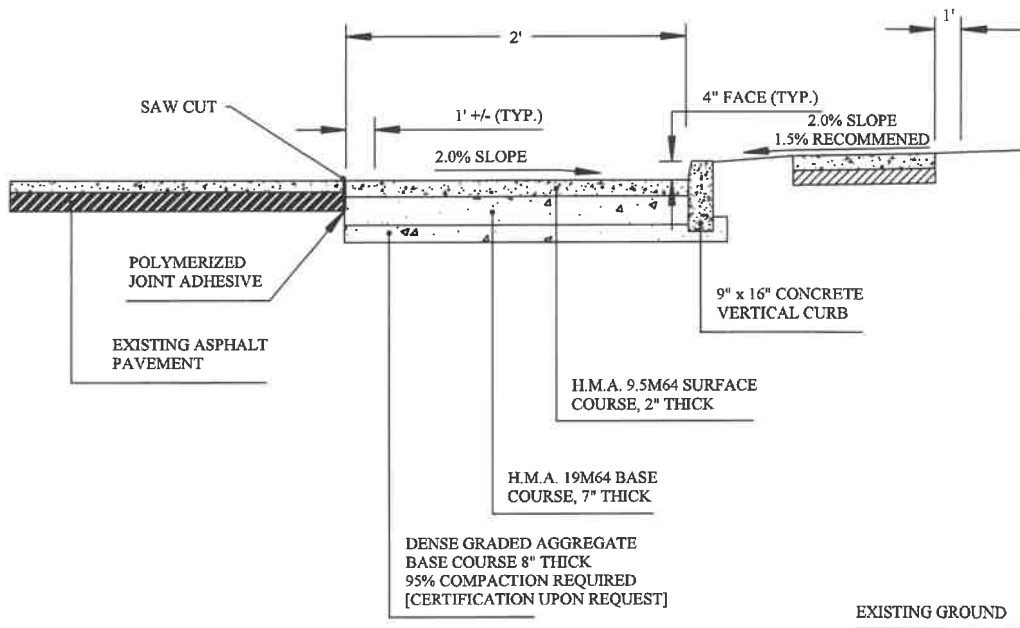


**DETAIL #16**

TYPICAL COUNTY CURB INSTALLATION DETAIL



NOTE:

- 1. PROVIDE SLOPE TOWARDS GUTTER LINE TO ENSURE POSITIVE DRAINAGE.

Revisions		
NO.	DATE	BY
1	1/16/19	KP

County of Middlesex  
 Department of Infrastructure Management  
 Office of Engineering/Planning/Public Works  
 75 Bayard St., New Brunswick, NJ 08901

**TYPICAL COUNTY CURB  
 INSTALLATION DETAIL**

*Ronald Sender* Date  
 Licensed Professional Engineer  
 License No. 24GE03162200

Designed By	Drawn By
JCP	RPB
Checked By	Approved By
RP	RP

Scale: NOT TO SCALE  
 Sheet No. 1 of 1  
 Date: 5/22/17

*Ronald Sender*  
 Acting County Engineer  
 N.J. P.E. No. 24GE03162200